

**voran**<sup>®</sup>

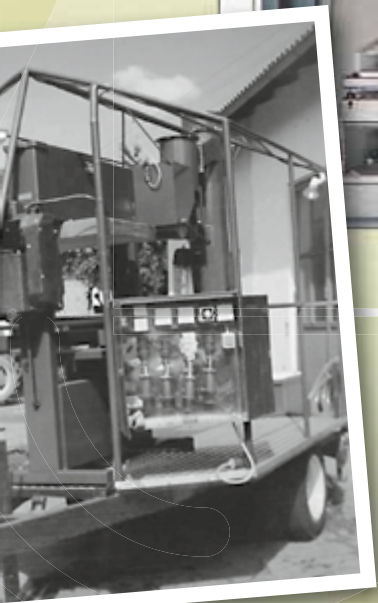
machinery

# Mobile presses



# Mobile presses

Decades of experience in the business



**Extensive knowledge of processes, products and applications and numerous customer systems installed make the mobile press systems from voran the benchmark and quality standard to aim for, even for our competitors.**

- Best juice quality and shelf life thanks to fresh processing and minimum storage handling of fruit. Proven system components and neat integration into trailer provide best conditions for highest level of hygiene.
- Modular design with standardised components ensures application-specific configuration of process technology, degree of automation, throughput and easily installable retrofits.

Compared to stationary presses, mobile systems offer the following key advantages:

- No complicated and lengthy application procedures with local authorities for obtaining planning permission. This means that your investment creates turnover and is profitable from day one.
- Virtually unrestricted mobility: the press comes to the fruit, and not the other way round. Results in more than 25 percent saving on material flow/transport capacity and all related process steps and costs. Greatly improves energy, CO<sub>2</sub> and ecological balance as a consequence.
- Much wider scope for different customers by offering contract pressing in areas with varied fruit crops, specific fruit breeds, centralised collection points, gardening associations and commercial fruit processors.





## Frequently chosen machine types

in order of hourly throughput

### Washing/Chopping **a**

Inclined elevator SA	1,000 kg/h
Washing /Mashing WA LC	2,000 kg/h

### Presses **b**

Packing press 100 P2 with rotating carriage	600 kg/h
Belt press EBP 350	300 kg/h
Belt press EBP 500	700 kg/h
Belt press EBP 650	1,500 kg/h

### Filters **c**

Pipe screen combination DN25 with slotted screen 0.25 mm	
Self-clearing centrifuge	1,500 l/h

### Settling **d**

Stainless steel buffer tank 220l or 530l depending on throughput	
--	--

### Pasteurisation **e**

Pasteurisation unit PA 500 oil/gas	500 l/h
Pasteurisation unit PA 1000 gas	1,000 l/h

### Filling **f**

Bottle—row filling 4 or 6 in line	
Bag-in-Box filling MBF 500	500 l/h
Bag-in-Box filling MBF 750-R6 (6-row)	750 l/h
Bag-in-Box filling MBF 1500	1,500 l/h

### Chosen/installed by reference customers

De-stoning system EP1000	1,000 kg/h
Mash pump	
100l juice collection tray with level-controlled centrifugal pump	
Table or pull-out support for Bag-in-Box filling system	
Centrifugal pumps	

# Idea Planning Implementation

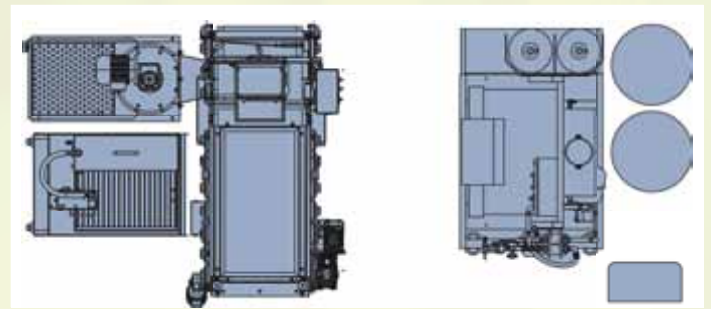
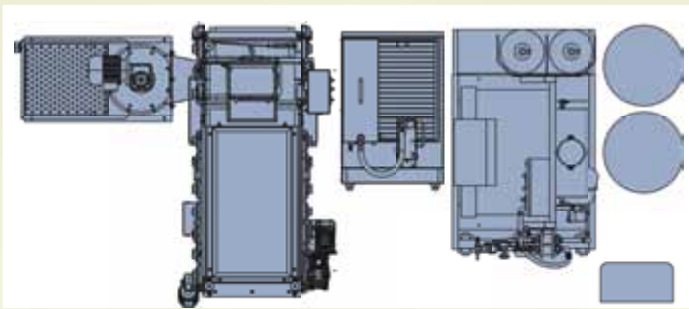
## Defining objectives

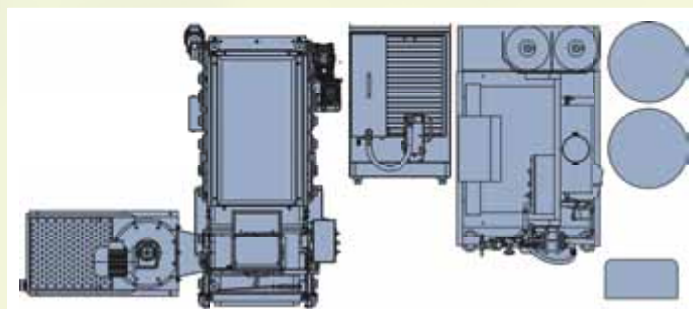
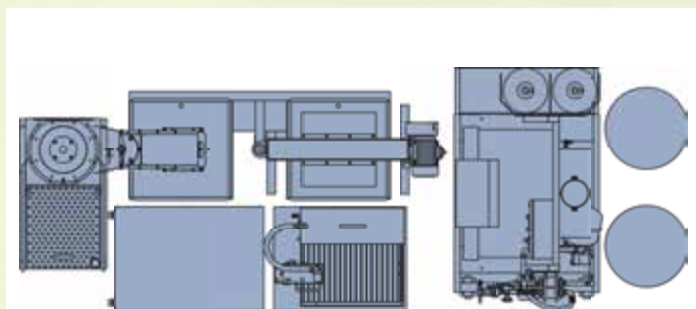
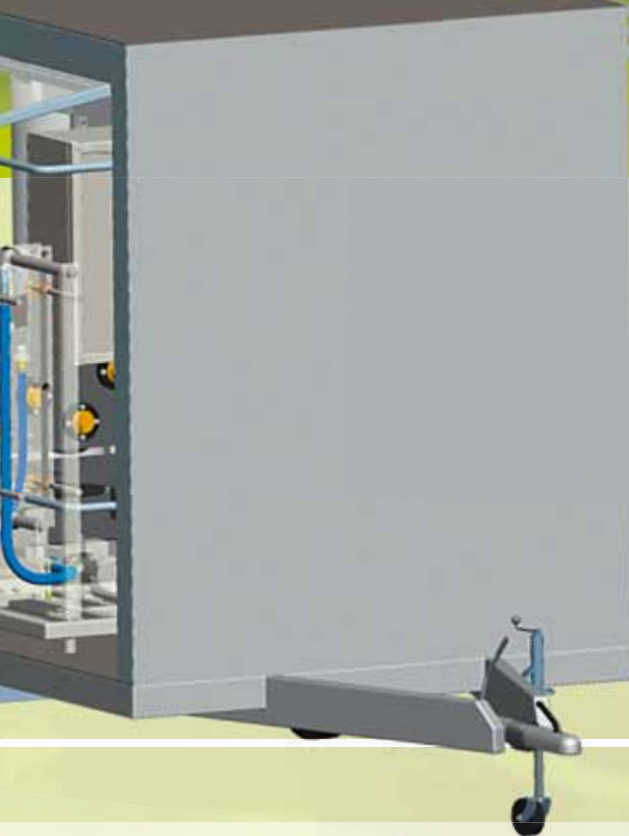
- Process steps and processing capacity per hour
- Master plan for future process flexibility and increases in capacity
- Select components together from voran's comprehensive range of standardised components
- Decide equipment details and any non-standard additional specifications

We work together with you to produce a 3D plan of your system in such detail that you can be sure you get exactly what you need.



## Examples of equipment configurations





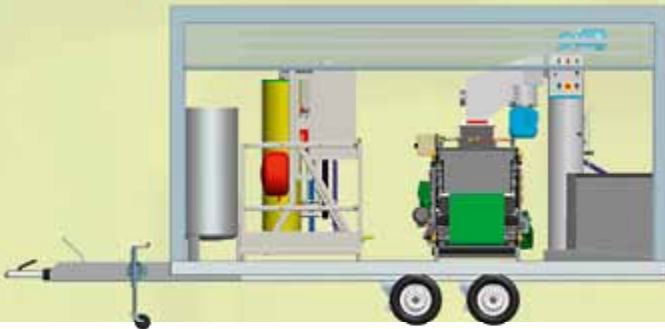
# Standardised components



## Description

- a b** Bag-in-Box filler on pull-out rails
- c** Belt press with brush roller
- d** View of mobile press
- e** Pipe screen combination
- f** Combination washing system + Belt press





# Specifications

## Special features of voran machines

- Clearly structured, rugged construction of system components ensures optimum fruit feed, juice output, pomace/marc disposal and excellent accessibility for operating the machinery/equipment and the special trailer.
- Excellent accessibility for rapid cleaning during operation of the equipment and efficient cleaning at the end of processing thanks to optimised hygiene features.
- By using modular standardised components from our comprehensive product range we can ensure optimum functionality, high yield, reliable pasteurisation and a high quality end product.
- Compact dimensions, yet huge functionality and capacity, virtually unrestricted mobility and quickly ready for operation after changing location.
- High quality selection of materials and design of special trailer with best possible protection from sun and rain plus central utility connections for water and electricity.
- All components dimensioned for the designed throughput, ready for immediate operation following function test proven in ready-to-ship test report for
  - central distribution panel including power sockets for customer-specific applications (only one 16 Amp 3AC connection required)
  - full electrical and light equipment to relevant standards
  - complete utility piping (water, compressed air for screen belt presses/Bag-in-Box filler)
  - Depending on system configuration and integration of peripheral equipment such as high pressure cleaner, pneumatic compressor ...
- Mobile press unit suitable for organic certification.
- High level of safety during transport and while stationary, complete operating instructions with list of spare and wear parts plus CE declaration of conformity.
- Mobile press unit and special aluminium trailer including EU registration for straightforward registration within the EU.

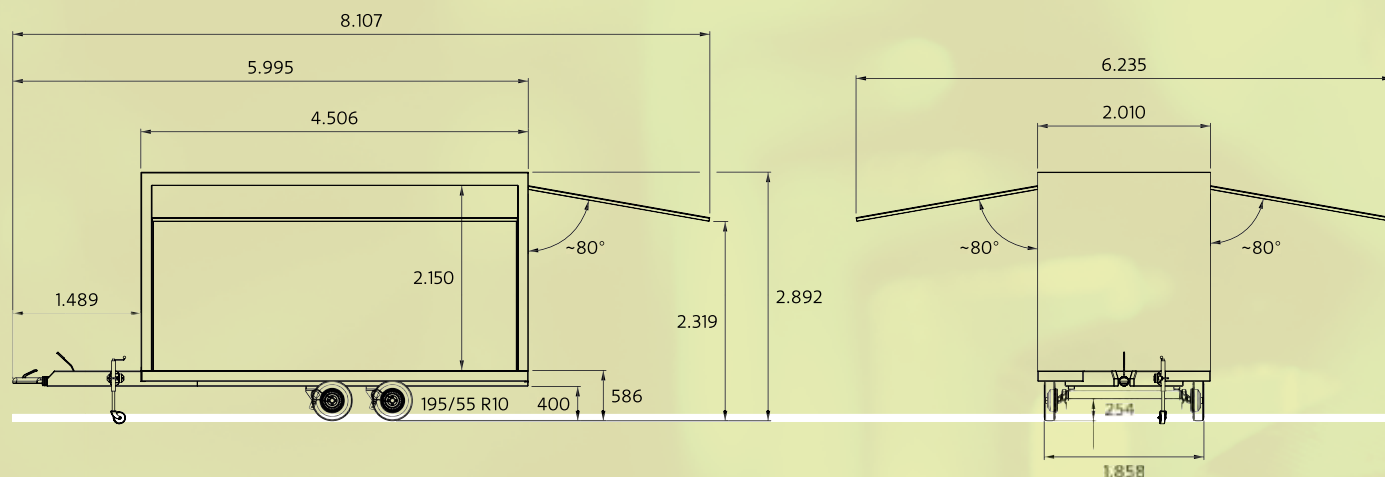






# The trailer in detail

## Dimensions



## Technical data of special trailer

- All aluminium car trailer, high loader, wheels underneath loading platform
- Tandem axle with rubber shocks for loads of up to 1,500 kg on each axle with full-length axle tube
- Individual wheel suspension with automatic reversing system and overrun brakes
- Tyres 195/55-R10C, load per wheel 750 kg at 6 bar air pressure, full quality spare wheel
- Reinforced support wheel dia. 60 mm for loads of up to 150 kg
- 2 rear stabilizer legs with retention clamps for safe parking of trailer for operation
- Aluminium tube construction chassis as per ENAW-6060 T 66, alloy ALMgSi 0.5 F22 DIN 1748
- Enclosure: fixed roof and front wall welded using aluminium panel profiles Snap Lock dia. 35 mm, alloy ENAW-6060 T 6
- Enclosure corner pillars—aluminium tubes 150 x 150 x 5 mm
- Floor plate - aluminium diamond plate 3 mm, 5-ribbed as per ENAW-5754 H114, alloy ALMg3 DIN 1712
- Side door and tailgate—aluminium tube clad with 2 mm aluminium plate and edge guard
- Side doors and tailgate—smooth aluminium plate 2 mm as per ENAW-1050 AH14/H24, alloy AI 99.5 DIN 1712
- Hinges upwards assisted by gas-filled pneumatic cylinders on hinges and canopy to protect against sun/rain
- Tailgate lockable from inside using spring-catch, side doors lockable from outside with two fitted locks operated by the same key
- Exhaust pipe opening dia. 150 mm in front wall, optional tank for extra-light heating oil as per regulations
- Cabling for special trailer 10-core with 13-pole plug, lighting in impact-resistant boxes
- Tare weight approx. 900 kg, registered as per relevant EU directives and national limits for highest permissible overall weight

**Technical updates and changes in performance data expressly excepted.**

# Excerpt from product range

Blue = often used for mobile presses

<p><b>Washing/Mashing</b> WALC</p> 	<p><b>Washing/Mashing</b> WAR 65</p> 	<p><b>De-stoning system</b> EP 1000</p> 	<p><b>Basket press</b> 60K RM 1,5</p> 	<p><b>Centrifugal mill for pomaceous and stone fruit</b> RM 2,2</p> 	<p><b>Packing press with rotating carriage</b> 100P2</p> 
<p><b>Packing press with sliding carriage</b> 50 P1</p> 	<p><b>Screen belt press</b> EBP 350</p> 	<p><b>Screen belt press</b> EBP 500</p> 	<p><b>Pasteurisation unit</b> PA 180 E</p> 	<p><b>Washing/Mashing</b> SA + RM 2,2</p> 	<p><b>Bulk bin tipper</b> GKE for standardised bulk bins</p> 
<p><b>Pasteurisation unit</b> PA 500 Gas</p> 	<p><b>Pasteurisation unit</b> PA 90</p> 	<p><b>Bag-in-Box filling</b> MBF 750-R6</p> 	<p><b>Bottle brushing machine</b> PS 400</p> 	<p><b>Packing press with rotating carriage</b> 180P2</p> 	<p><b>Pasteurisation unit</b> PA 300 E · PA 300 EA</p> 
<p><b>Basket press</b> 100K</p> 	<p><b>Bag-in-Box filling</b> MBF 500</p> 	<p><b>Screen belt press</b> EBP 1200</p> 	<p><b>centrifugal pump</b></p> 	<p><b>Screen belt press</b> EBP 650</p> 	<p><b>Juice collection basin</b> 100l</p> 

# voran.at

voran GmbH business sectors

**machinery**

**manufacturing**

**plant construction**

**facades**

## How to reach us



**voran** Maschinen GmbH  
 Headquarters  
 Inn 7  
 A 4632 Pichl bei Wels  
 T +43(0)72 49 / 444-0  
 F +43(0)72 49 / 444-888  
 office@voran.at  
 www.voran.at

Logistics centre  
 Linzer Straße 30  
 A 4650 Edt bei Lambach